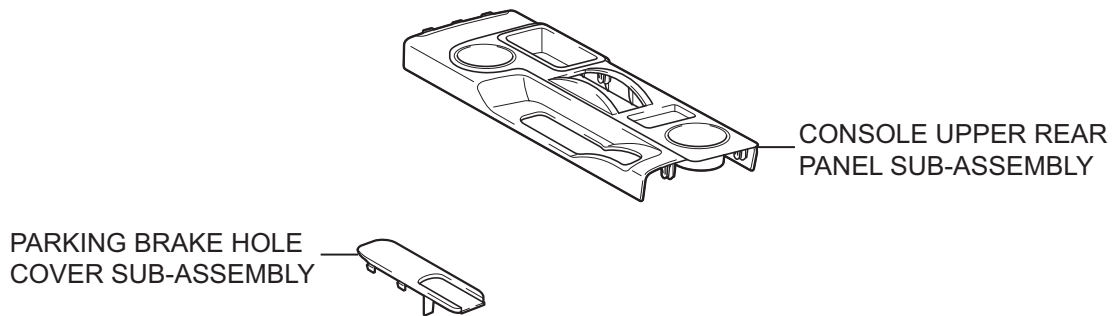


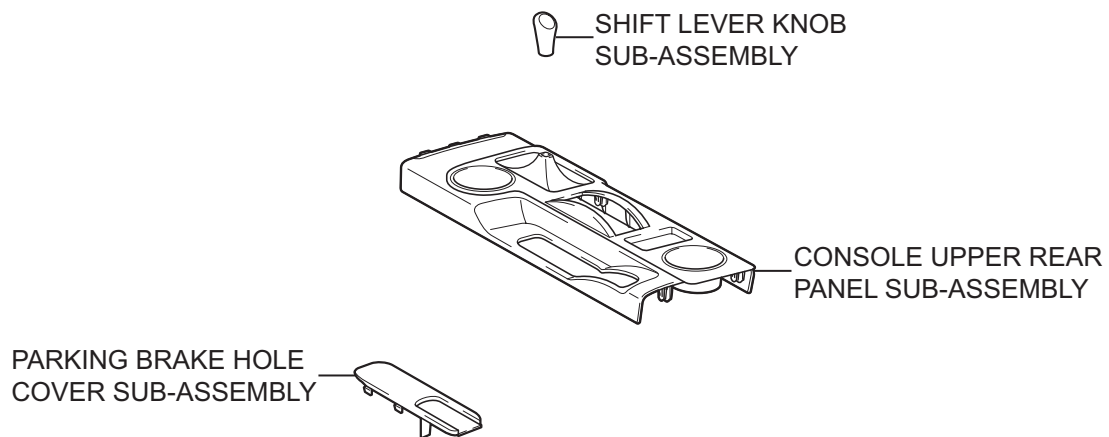
YAW RATE AND DECELERATION SENSOR

COMPONENTS

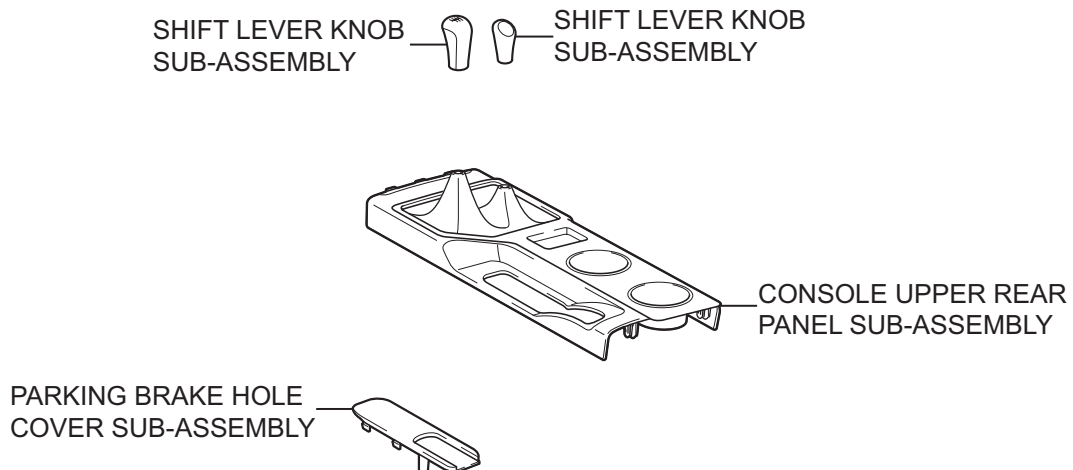
for Automatic Transmission 2WD:



for Automatic Transmission 4WD:

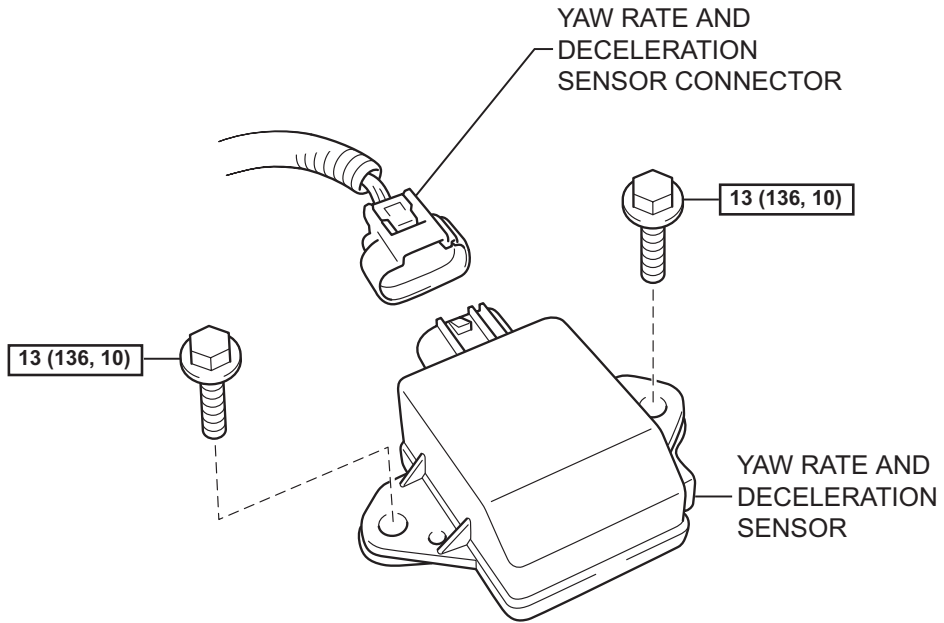


for Manual Transmission 4WD:

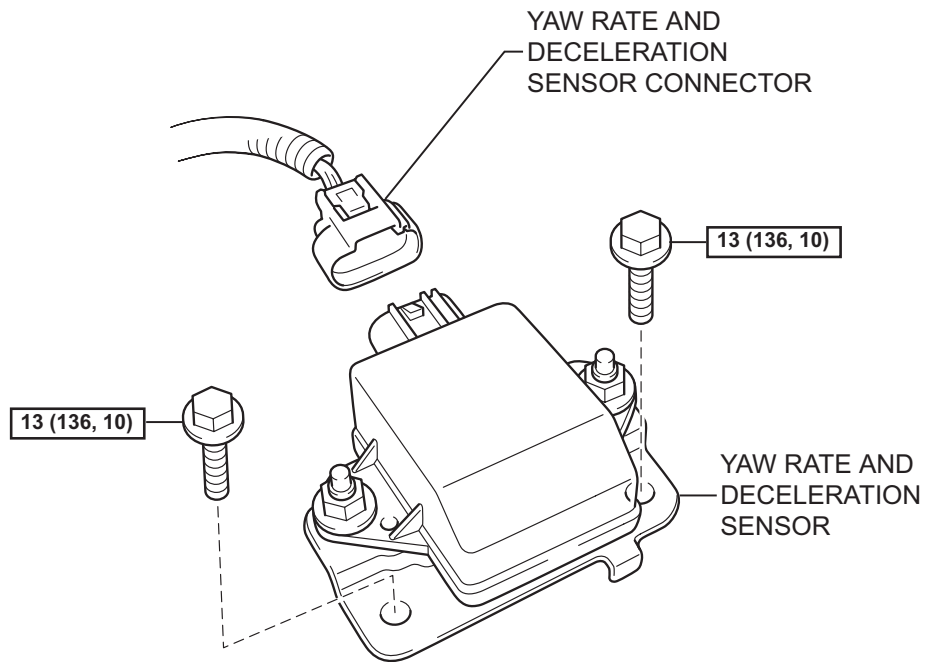


BC

for Automatic Transmission:



for Manual Transmission:



N*m (kgf*cm, ft*lbf) : Specified torque